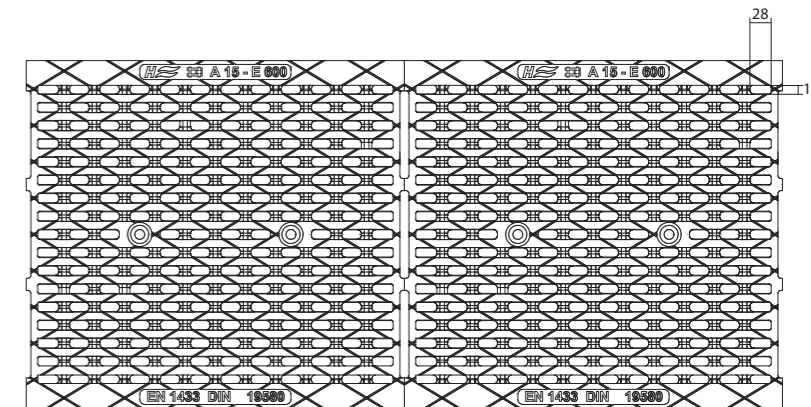
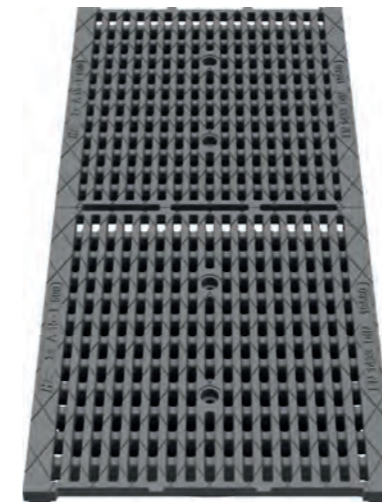
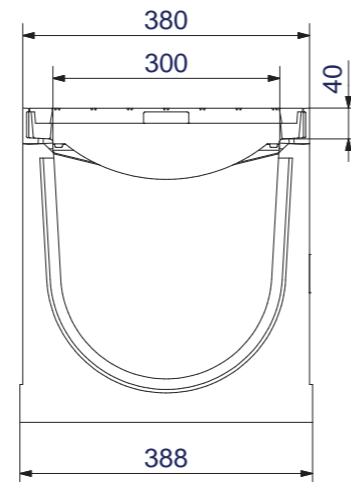


Submittal Sheet MAXI F1 300 - E600 / F900



Outflow capacity (Q) = 49,2 l/s
Volume (V) = 80,2 Liters / m

Slot width: 12 x 28mm (0.47" x 1.10")
Water intake area: 1120 cm² (173.60 sq. inch)



Specifications (feed box)

